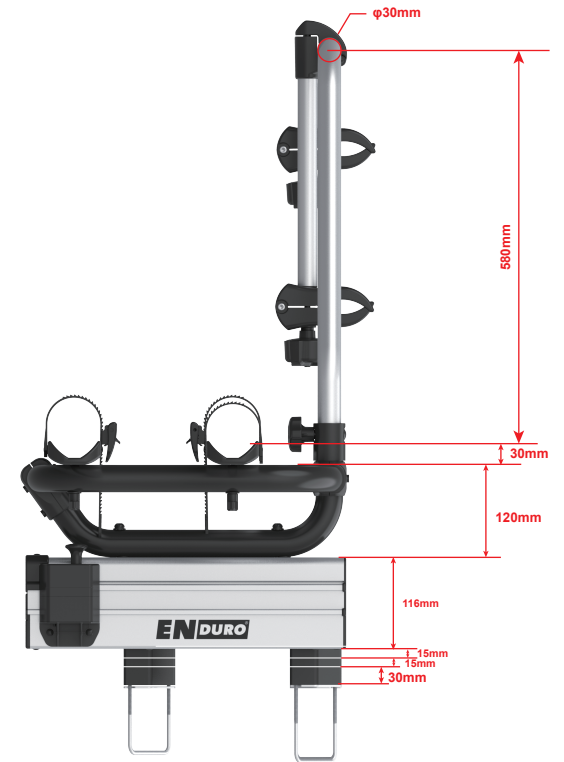
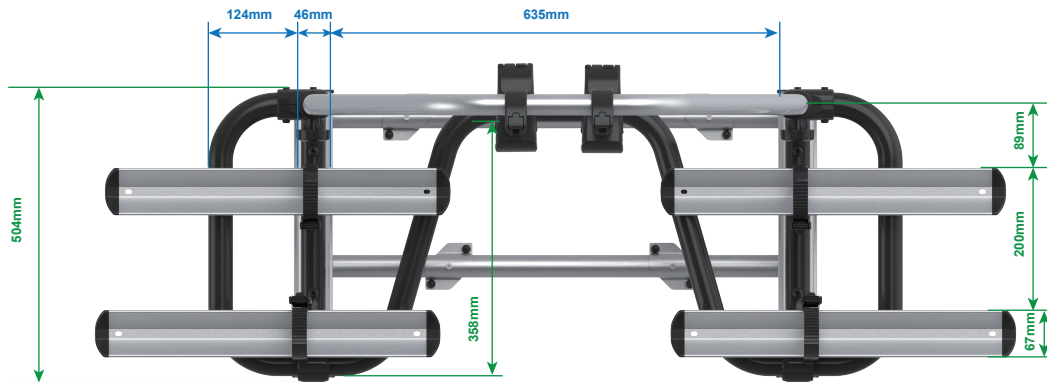


# Dimension of BS260

*Slided in*



# Dimension of BS260

*Slided out*

